

SP 96  
Flanschanschluss nach DIN EN 1092



**Overflow valve / Bypass valve**  
**Flanges / Standard pressure**  
**Stainless steel**

Overflow valves of this series are diaphragm-controlled and spring-loaded.

**Media** .....

The overflow valves are suitable for use with aggressive water and other aggressive liquids, but can also be used for air and neutral gases.

DGRL 2014/68/EU **CE**

**Custom tariff number** .....

84814010



**Features** .....

- pressure-relieved single seated valve
- diaphragm-controlled
- continuously adjustable pressure setting
- max. inlet pressure up to 16 bar
- setting range: 0,5 - 10 bar
- internal parts exchangeable

**Temperatures** .....

Seals and wetted internal parts allow a max. temperature of up to 200°C.



up to +200 °C

**Pressures** .....



max. 16 bar

**Seals and temperatures** .....

EPDM up to +140°C  
FKM up to +200°C

**Connections** .....



Flange connection  
acc. to DIN EN 1092 PN 40 (DN 65 - DN 100)

**Materials** .....

	body	spring bonnet	seals	wetted parts	max. temperature
standard version	stainless steel 1.4408	stainless steel 1.4408	FKM EPDM	stainless steel 1.4571	200 °C



**Technical data**

nominal size	65	80	100
PN		40	

max. inlet pressure [bar]

SP 96	40		
-------	----	--	--

setting range [bar]

SP 96	0,5 - 1,0
	1,0 - 1,6
	1,6 - 2,5
	2,5 - 4,0
	4,0 - 6,3
	6,3 - 10,0

dimensions [mm]

SP 96	DN	65	80	100
	b	290	310	350
	D	185	200	220
	h1	155	190	200
	h	360	495	495

weight [kg]

SP 96	30,5	50	62
-------	------	----	----

kvs-value [m³/h]

SP 96	15	23	36
-------	----	----	----

**Pressures**

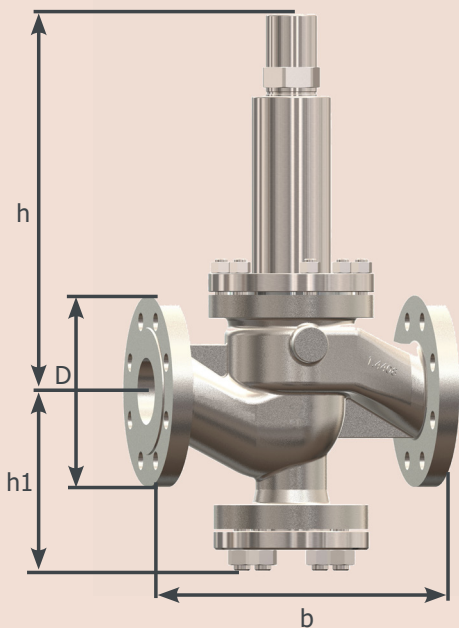
max. 40 bar



0,5 - 10 bar

**Connections**

Flange connection  
(DN 65 - DN 100)





**Article number** .....

nominal size	65	80	100
SP 96	019608	019609	019610

**Options** .....

<b>C C - connections</b>			<b>E - elastomers</b>		
56 -	Flansche DIN EN 1092 PN 40	Standard	2 -	EPDM	
61-	ANSI B16.5 RF	class 150 lbs	3 -	FKM	
<b>M - material wetted parts</b>			<b>B - setting range</b>		
3 -	V4A	Standard	A -	0,5 - 1,0 bar	
			B -	1,0 - 1,6 bar	
			C -	1,6 - 2,5 bar	
			D -	2,5 - 4,0 bar	
			E -	4,0 - 6,3 bar	
			F -	6,3 - 10,0 bar	

**Configuration example of an item number with additional options** .....

pressure setting: 5 bar                      connection: DN 80 DIN EN 1092 PN 40  
 seals: FKM                                      temperature: 30 °C

art.no.						standard	version	-	A	A	I	E	B
0	1	9	6	0	9	-	5	6	3	2	E		