



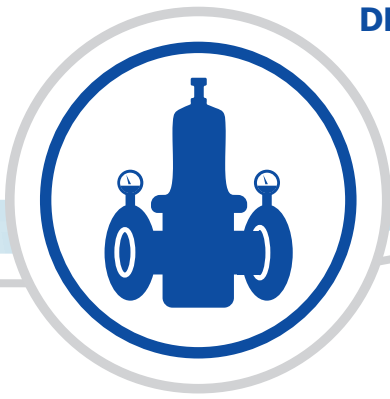
Berluto

Pressure reducers for steam

Berluto® Armaturen-Gesellschaft mbH

100 years
1920-2020
made in germany

Product overview



DRV type	max. inlet pressure	outlet pressure	nominal size	kvs-value
DRV 730-D	16 bar	0,3 - 2 bar	DN 15 - DN 50	3,0 - 12 m ³ /h
DRV 732-D	16 bar	2 - 5 bar	DN 15 - DN 50	3,6 - 14 m ³ /h
DRV 738-D	16 bar	4 - 10 bar	DN 15 - DN 50	3,6 - 14 m ³ /h
DRV 830-D	16 bar	0,3 - 2 bar	DN 15 - DN 50	3,0 - 12 m ³ /h
DRV 832-D	16 bar	2 - 5 bar	DN 15 - DN 50	3,6 - 14 m ³ /h
DRV 838-D	16 bar	4 - 10 bar	DN 15 - DN 50	3,6 - 14 m ³ /h

Area of application

The DRV series 73x/ 83x were specially developed for use with steam up to 200°C. The carefully selected materials ensure optimum steam resistance in this range.

With inlet pressures up to 16 bar and outlet pressures between 0.3 and 10 bar, our standard valves are suitable for many applications and allow flow rates from kvs-value 3.0 m³/h to 14 m³/h.

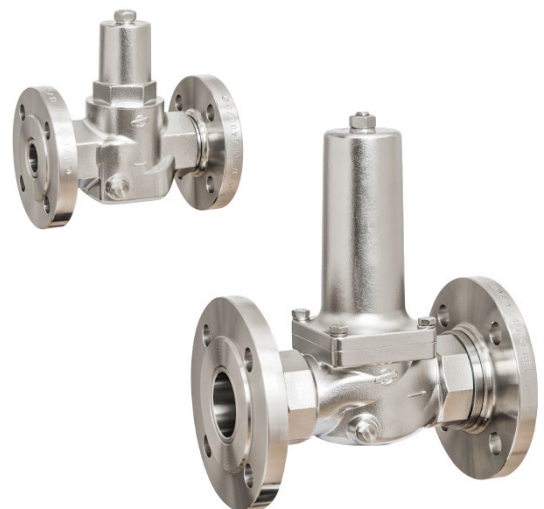
Features

Our pressure reducers of the DRV 73x/ 83x series work with an integrated inlet pressure relief, which guarantees a constant outlet pressure even if the inlet pressure fluctuates considerably.

All nominal sizes are equipped with a removable cartridge for easy maintenance. We offer our steam pressure reducers with female thread (ISO 228 or optional NPT - ASME B1.20.1) and DIN flanges (optional ANSI, JIS) as standard.



DRV 732 / 738 - D



DRV 832 / 838 - D

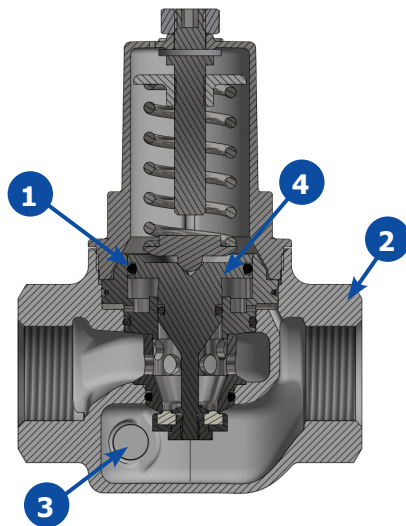
nominal size	15	20	25	32	40	50
G	1/2"	3/4"	1"	1 1/4"	1 1/2"	2"

steam applications up to 150°C

DRV 730-D	073002-000A0	073003-000A0	073004-000A0	073005-000A0	073006-000A0	073007-000A0
DRV 732-D	073202-000A0	073203-000A0	073204-000A0	073205-000A0	073206-000A0	073207-000A0
DRV 738-D	073802-000A0	073803-000A0	073804-000A0	073805-000A0	073806-000A0	073807-000A0
DRV 830-D	083002-000A0	083003-000A0	083004-000A0	083005-000A0	083006-000A0	083007-000A0
DRV 832-D	083202-000A0	083203-000A0	083204-000A0	083205-000A0	083206-000A0	083207-000A0
DRV 838-D	083802-000A0	083803-000A0	083804-000A0	083805-000A0	083806-000A0	083807-000A0

steam applications up to 200°C

DRV 730-D	073002-000B0	073003-000B0	073004-000B0	073005-000B0	073006-000B0	073007-000B0
DRV 732-D	073202-000B0	073203-000B0	073204-000B0	073205-000B0	073206-000B0	073207-000B0
DRV 738-D	073802-000B0	073803-000B0	073804-000B0	073805-000B0	073806-000B0	073807-000B0
DRV 830-D	083002-000B0	083003-000B0	083004-000B0	083005-000B0	083006-000B0	083007-000B0
DRV 832-D	083202-000B0	083203-000B0	083204-000B0	083205-000B0	083206-000B0	083207-000B0
DRV 838-D	083802-000B0	083803-000B0	083804-000B0	083805-000B0	083806-000B0	083807-000B0



cartridge

1 | High quality seals made of FEPM(Aflas)/ EPDM & PTFE for excellent chemical resistance to steam

2 | Robust housing made of high-alloy stainless steel for a long service life

3 | Manometer connection to check the outlet pressure setting

4 | Quick and easy maintenance by a removable cartridge or exchangeable spindle

Berluto® Armaturen-Gesellschaft mbH

Tempelsweg 16 • D-47918 Tönisvorst • Germany

Tel: +49 - (0)2151 - 7038-0
Fax: +49 - (0)2151 - 7007 63
eMail: verkauf@berluto.de
www.berluto.com

© 2020 Berluto Armaturen-Gesellschaft mbH